

FOR OFFICIAL USE ONLY

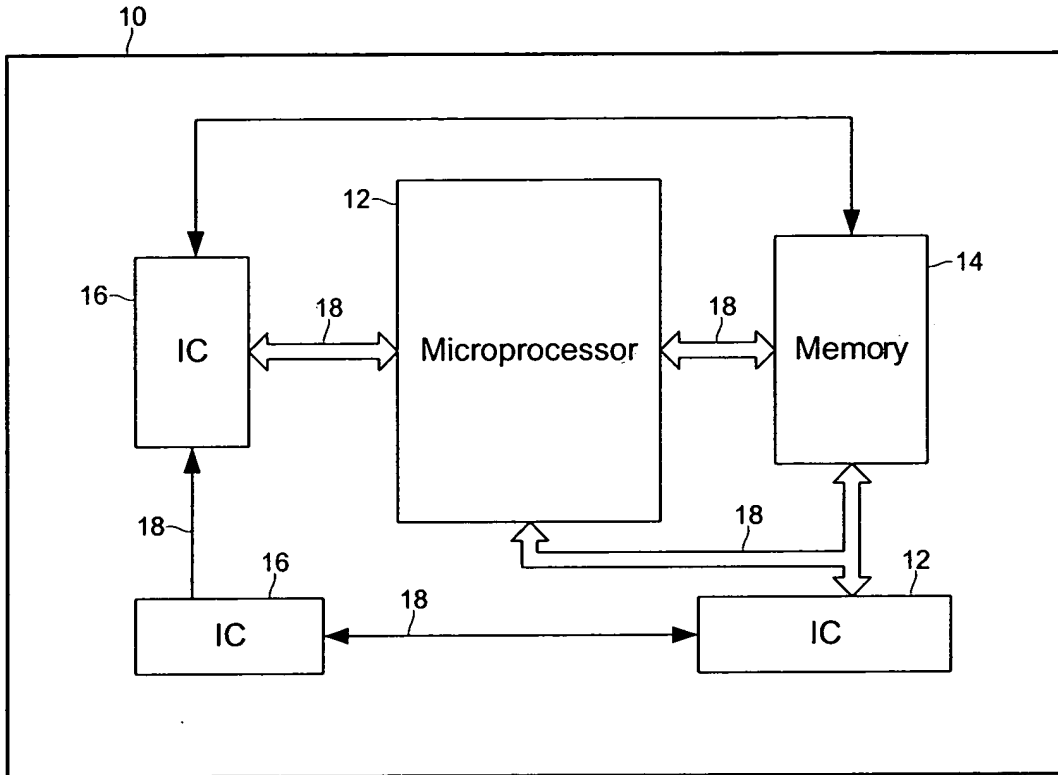


FIGURE 1
(Prior Art)

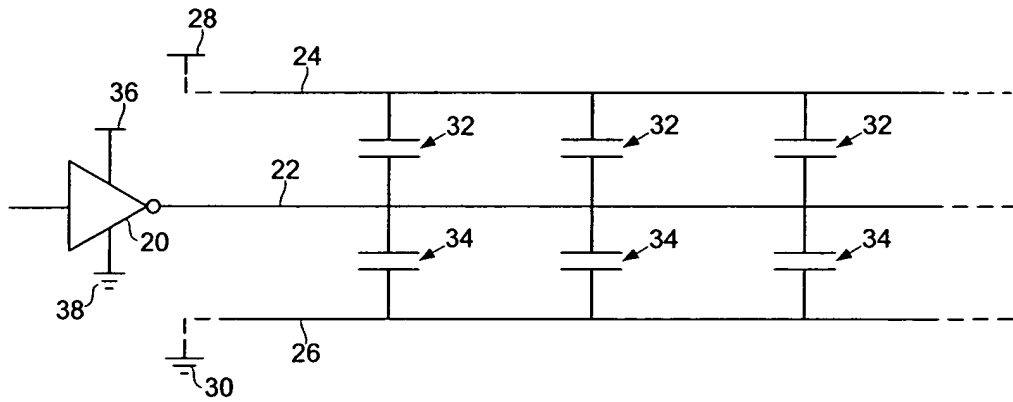


FIGURE 2a
(Prior Art)

LOW to HIGH

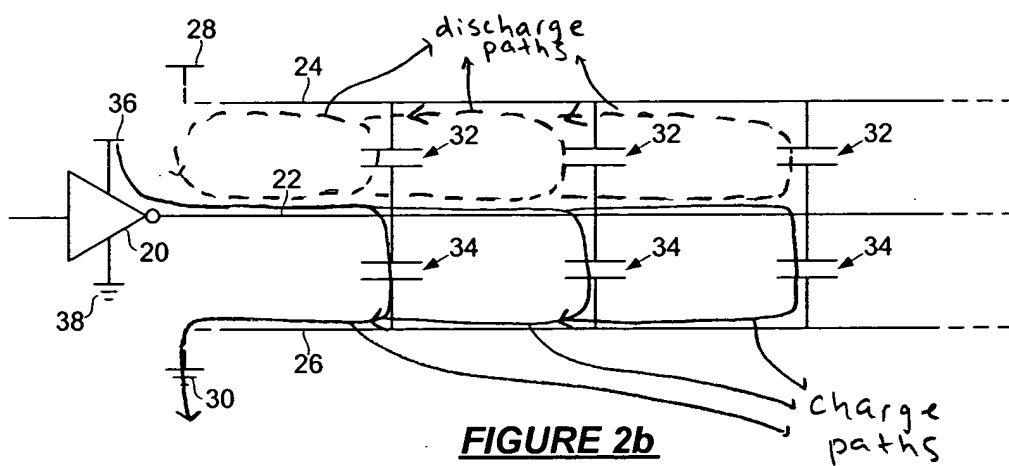


FIGURE 2b
(Prior Art)

2025062007

HIGH TO LOW

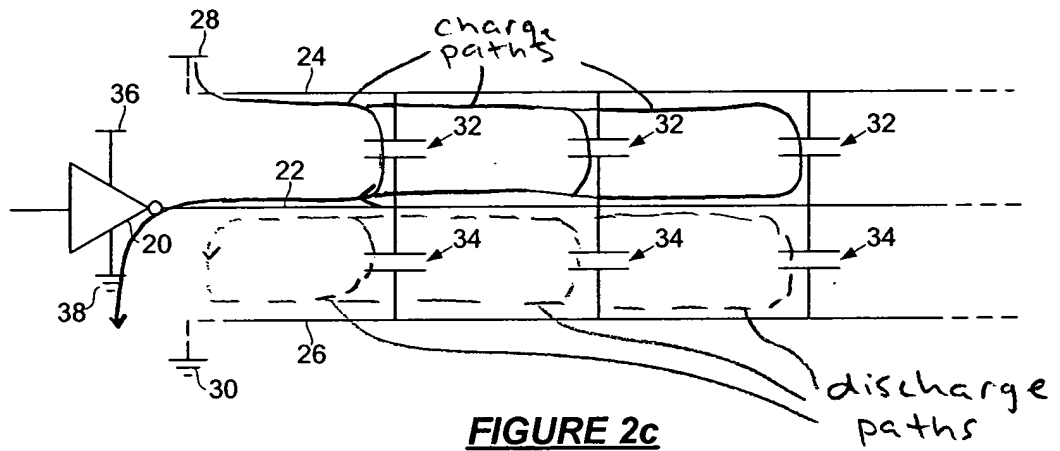


FIGURE 2c
(Prior Art)

20250206CEFC007

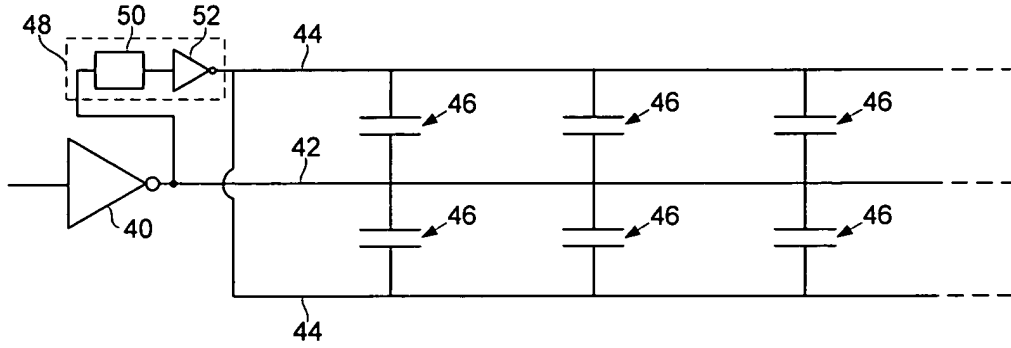


FIGURE 3a

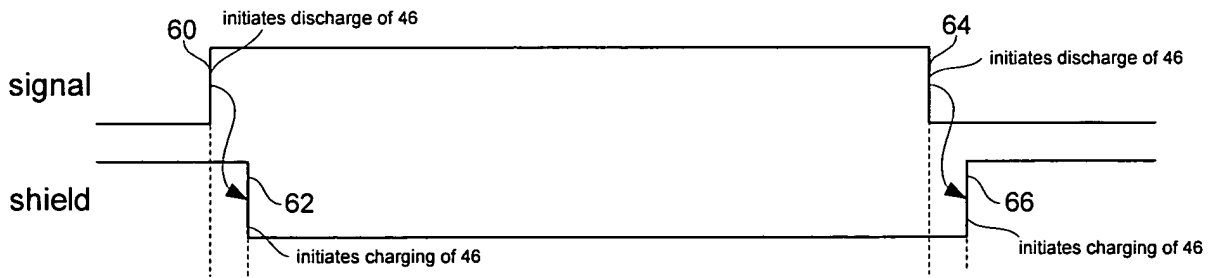


FIGURE 3b